

GOVERNMENT OF MAHARASHTRA



सत्यमेव जयते

Government of Maharashtra

महाराष्ट्र शासन

ESTIMATE

NAME OF WORK:-PROPOSED CONSTRUCTION OF SHED
FOR KRUSHINIDHI FARMER PRODUEER COMPANY LTD.
AT VILLAGE AADGAON GUT NO.209 TQ WASMANT
DIST.HINGOLI

ESTIMATE COST :-

5536559.00

NAME OF WORK:-PROPOSED CONSTRUCTION OF SHED FOR
KRUSHINIDHI FARMER PRODUEER COMPANY LTD. AT VILLAGE
AADGAON GUT NO.209 TQ WASMANT DIST.HINGOLI

GENERAL ABSTRACT

SR.N O	ITEM OF WORK		
1	COST OF MAIN BUILDING (A)	RS	4516864.57
2	Estimated Cost for Electification	RS	200000.00
4	Total Estimated Cost For School Building	RS	4716864.57
5	ADD FOR 18 % GST Charges on Total - A	RS	796901.32
6	ADD 0.50% FOR INSURANCE CHARGES	RS	22136.15
7	ADD FOR CONTEGENCY	RS	657.80
	Total Estimated Cost	RS	5536559.85
	Say	RS	5536559.00


Jinturkar A. A.
Engn. & Govt. Contractor
Reg.No.PWD/4033/2008-09

**NAME OF WORK:-PROPOSED CONSTRUCTION OF SHED FOR KRUSHINIDHI FARMER
PRODUER COMPANY LTD. AT VILLAGE AADGAON GUT NO.209 TQ WASMANT
DIST.HINGOLI**

A B S T R A C T

S.No	Quantity	Description	Rate	Unit	Amount
1		Excavation for foundation in earth, soil of all types, sand, gravel and soft murum, including removing the excavated material up to a distance of 50 m. beyond the building area and stacking and spreading as directed, dewatering, preparing the bed for the foundation and necessary back filling, ramming, watering including shoring and strutting			
		Rate as per SSR ITEM NO.21.01			
	54.00	a. Lift upto 1.50m	239.00	Cum	12906.00
2		Excavation for foundation in Hard murum including removing the excavated material upto a distance of 50 metres beyond the building area and stacking and spreading as directed, dewatering, preparing the bed for the foundation and necessary back filling, ramming, watering including shoring and strutting etc. complete. (Lift from 1.5 to 3.0m.)			
		Rate as per SSR ITEM NO.21.03			
	21.60	b. Lift from 1.50m to 3.00	314.00	Cum	6782.00
3		Filling in plinth and floors with contractors material/brought from outside and approved by Engineer incharge in layers of 15 cm to 20cm including watering and compaction etc. complete.			
		Rate as per SSR ITEM NO.21.39			
	88.63	GF	2570.55	Cum	227828.00
4		Providing soling using 80 mm size trap metal in 15 cm. layer including filling voids with Crushed sand/grit, ramming, watering etc.			
		Rate as per SSR ITEM NO.21.38			
	49.72		1809.26	Cum	89956.00
5		Providing and laying Cast in situ/Ready Mix cement concrete in M-10 of trap/ granite/ quartzite/ gneiss metal for foundation and bedding including bailing out water, Steel centering, formwork, laying/pumping, compacting, roughening them if special finish is to be provided, finishing if required and curing complete, with fully automatic micro processor based PLC with SCADA enabled reversible Drum Type mixer/concrete Batch mix plant (Pan mixer) etc. complete. With fine			
		Rate as per SSR ITEM NO.24.01			

	39.05		6290.97	Cum	245682.00
6		Providing and laying in situ /Ready Mix cement concrete M-20 of trap / granite /quartzite/ gneiss metal for R.C.C. work in foundations like raft, strip foundations, grillage and footings of R.C.C. columns and steel stanchions etc. including bailing out water, Steel centering formwork, laying/pumping cover blocks, compaction and curing roughening the surface if special finish is to be provided (Excluding reinforcement and structural steel) etc. complete, with fully automatic micro processor based PLC with SCADA enabled reversible Drum Type mixer/ concrete Batch mix plant (Pan mixer) etc. complete. With fine aggregate (Natural Sand / Crushed sand Rate as per SSR ITEM NO.25.11			
	6.91		7613.86	Cum	52612.00
7		concrete M-20 of trap / granite /quartzite/ gneiss metal for R.C.C. columns as per detailed designs and drawing or as directed including steel centering, formwork, cover blocks, laying/pumping, compaction finishing the formed surfaces with cement mortar 1:3 of sufficient minimum thickness to give a smooth and even surface or roughening if special finish is to be provided and curing etc. complete.(Excluding reinforcement and structural steel).with fully automatic micro processor based PLC with SCADA enabled reversible Drum Type mixer/ concrete Batch mix plant			
	1.47	Rate as per SSR ITEM NO.25.31	14292.86	Cum	
8		Providing and laying Cast in situ/Ready Mix cement concrete M-20 of trap / granite /quartzite/ gneiss metal for R.C.C. beams and lintels as per detailed designs and drawings or as directed including steel centering, formwork, cover blocks, laying/ pumping, compactionand roughening the surface if special finish is to be provided and curing etc. complete. (Excluding reinforcement and structural steel). with fully automatic micro processor based PLC with SCADA enabled reversible Drum Type mixer/ concrete Batch mix plant (Pan mixer) etc. complete. With fine aggregate Rate as per SSR ITEM NO.25.5			
	5.64		12778.86	Cum	72073.00

14	Providing sand faced plaster externally in cement mortar using approved screened sand, in all positions including base coat of 15mm thick in cement mortar 1:4 using waterproffing compound at 1kg per cement bag curing the same for not less than 2 days and keeping the surface of the base coat rough to receive the sand faced treatment 6 to 8mm thick in cement mortar 1:4 finishing the surface by			
	Rate as per SSR ITEM NO.32.11			
	259.21	650.28	Sqm	168559.00
15	Providing and fabricating structural steel work in rolled sections like joists, channels, angles, tees etc. as per detailed design and drawings or as directed including cutting, fabricating, hoisting, erecting, fixing in position making riveted / bolted /welded connections without connecting plates, braces etc. and including one coat of anticorrosive paint and over it two coats of oil painting of approved quality and shade etc. complete			
	Rate as per SSR ITEM NO.23.01			
	7.64	101844.00	Sqm	778235.00
16	Providing and fixing plain zinc sheeting of 0.80 mm thick (22 B.W.G.) over the ridge hip or valley to galvanized iron sheet roofing including all fastening and bolt galvanised iron screws and bolts, lead and bitumen washers etc. complete (Weight of 6.8			
	Rate as per SSR ITEM NO.38.05			
	378.77	1139.00	Rmt	431419.00
17	Providing and applying priming coat on concrete/ masonry/ Asbestos Cement plastered surfaces including scaffolding if necessary, preparing the surface by thoroughly cleaning oil, grease, dirt and other foreign matter and sand papering as required			
	Rate as per SSR ITEM NO.35.21			
	469.95	36.00	Sqm	16918.00
18	Providing and applying three coats of water proof cement paint of approved manufacture and of approved colour to new plastered surfaces including scaffolding if necessary, cleaning and preparing the surface, watering for two days etc. complete.			
	Rate as per SSR ITEM NO.35.15			
	469.95	104.00	Sqm	48875.00

19	steel laths of minimum thickness 0.9 mm with lock plate of 3.15 mm thickness reinforced with 35 x 35 x 5 mm angle section fitted with sliding bolts and handles for both sides, deep M.S. channel section of depth and thickness not less than 65 mm and 3.15 mm respectively with hold fast arrangements, M.S. Bracket plate 300 x 300 x 3.15 mm minimum size and shape with square bar, suspension shaft of minimum 32 mm diameter, hood cover of M.S. sheet not less than 0.9 mm thickness and of any size at top and safety devices including mechanical gear operation arrangement consisting of worm gear wheels and worms of high grade cast iron or mild steel and one			
	Rate as per SSR ITEM NO.39.24			
	16.80	4829.00	Sqm	81127.00
20	per detailed drawing without hot dip zinc coating, without ventilators, including fabricating / glazing with plain / obscured glass panels of approved type and quality, iron oxidised fixtures and fastenings, finishing with oil painting two coats complete (with guard bars 12 mm square at 10 cm c/c.)			
	Rate as per SSR ITEM NO.39.20			
	10.80	4874.00	Sqm	52639.00
21	1982) Aluminium sliding window of two tracks with rectangular pipe having overall dimension 63.50 x 38.10 x 1.02 mm at weight 0.547 Kilogram/One Running Metre. and window frame bottom track section 61.85 x 31.75 x 1.20 mm at weight 0.695 Kilogram/One Running Metre. Top and side track section 61.85 x 31.75 x 1.30 mm at weight 0.659 Kilogram/One Running Metre. The shutter should be of bearing bottom 40 x 18 x 1.25 mm at weight 0.417 Kilogram/One Running Metre. Inter locking section 40 x 18 x 1.10 mm at weight 0.469 Kilogram/One Running Metre. And handle section 40 x 18 x 1.25 mm at weight 0.417 Kilogram/One Running Metre. and top section 40 x 18 x 1.25 mm at weight 0.417 Kilogram/Running metre. As per detailed drawings and as directed by Engineer in charge with all necessary Aluminium sections fixtures and fastenings such as roller bearing in nylon casting and self locking catch			
	Rate as per SSR ITEM NO.39.37			
	10.80	5479.00	Sqm	59173.00
	Total Estimated Amount			4427229.57
	Add Royalty Charges			44635.00
	Add Testing Charges			45000.00
				4516864.57


Jitender A. A.
 Engn. & Govt. Contractor
 Reg.No.PWD/4033/2008-09

**NAME OF WORK:-PROPOSED CONSTRUCTION OF SHED FOR KRUSHINIDHI FARMER
PRODUER COMPANY LTD. AT VILLAGE AADGAON GUT NO.209 TQ WASMANT
DIST.HINGOLI**

MEASUREMENTS

S.No.	Item of Work	Nos.	Length	Breadth	Depth	Quantity	Unit	
1	Excavation for foundation in earth, soils of all types, sand, gravel and soft murum, including removing the excavated material upto a distance of 50 m. beyond the building area and							
	Col	16	1.50	1.50	1.50	54.00		
	Total Quantity						54.00	Cum
2	Excavation for foundation in hard murum including removing the excavated material upto distance of 50 meters beyond the building area and stacking or spreading as directed, preparing the bed for the foundation							
	Col	16	1.50	1.50	0.60	21.60		
	Total Quantity						21.60	Cum
3	Filling in plinth and floors with contractors approved material / murum / stone dust in 15cm. to 20cm. <small>Layer including watering and</small>							
	Inner Area	1	16.57	17.83	0.30	88.63		
	Total Quantity						88.63	Cum
4	Providing soling using 80 mm size trap metal in 15 cm. layer including filling voids with Crushed sand/grit, ramming, watering etc.							
		16	1.50	1.50	0.15	5.40		
		1	16.57	17.83	0.15	44.32		
							49.720	Cum
5	Providing and laying Cast in situ/Ready Mix cement concrete in M-10 of trap/ granite/ quartzite/ gneiss metal for foundation and bedding including bailing out water, Steel centering, formwork, laying/pumping, compacting, roughening them if special finish is to be provided, finishing if required and curing complete, with fully automatic micro processor based PLC with SCADA enabled reversible							

		Total Quantity				39.05	Cum.
6	Providing and laying in situ cement concrete of required grade of trap / granite/ quartzite / gneiss metal for R.C.C. work in foundations like raft, grillages, strip foundations and footings of R.C.C.columns and steel stanchions including bailing out water.						
		16	1.20	1.20	0.30	6.91	
		Total Quantity				6.91	Cum
7	Providing and casting in situ cement concrete of M-20 grade of trap / granite /quartzite/ gneiss metal for R.C.C. columns as per detailed design and drawings or as directed, including steel centering, plywood / steel						
		16	1.02	0.30	0.30	1.47	
						1.47	Cum
8	Providing and casting in situ cement concrete of M-20 grade of trap / granite /quartzite / gneiss metal for R.C.C. beams and lintels as per detailed design and drawings or as directed, including steel centering, plywood /						
		2	15.53	0.23	0.38	2.71	
		2	16.79	0.23	0.38	2.93	
						5.64	Cum
9	Providing and laying Cast in situ/Ready Mix cement concrete M-20 of trap/ granite / quartzite/ gneiss metal for R.C.C. slabs and landings as per detailed designs and drawings including centering, formwork, cover blocks, laying/pumping, compactionfinishing the formed surfaces with cement mortar 1:3 of sufficient minimum thickness to give a smooth and even surface or roughening if special finish is to be provided and curing etc. complete,(Excluding reinforcement and structural						
	Basement Slab	1	18.29	17.03	0.2	62.30	
						62.30	Cum

10	Providing and fixing in position TMT b) TMT/ HYSD Steel G.F.								
	For Footing	6.91	@	66			456.060		
	For column	1.47	@	196			287.885		
	For Beam	5.64	@	157			885.480		
	For Basement Slab	62.30	@	90			5607.000		
							7236.425		
							7.236		
		Total Quantity (G.F.)						7.24 M.T.	
11	Providing 2nd class Burnt Brick masonry with conventional/I.S. type brick in cement mortar 1:6 in foundations and plinth of inner walls/in plinth of external walls including bailing out water, striking								
	PB1	1 x	2	15.53	0.23	0.55	3.93		
	PB2	1 x	2	16.79	0.23	0.55	4.25		
		Total Quantity (G.F.)						8.18 Cum	
12	Providing 2nd class Burnt Brick masonry with conventional/I.S. type brick in cement mortar 1:6 in super structure of inner walls/in plinth of external walls including bailing out water, striking joints on unexposed faces, racking out joints on exposed								
	SB1	1 x	2	15.53	0.23	3.65	26.07		
	SB2	1 x	2	16.79	0.23	3.65	28.19		
							54.26		
	Deduction								
	Shutter		8	1.2	0.23	2.1	4.64		
	Windows		2	1.5	0.23	2.1	1.45		
							6.09		
		Total Quantity (G.F.)						48.17 Cum	
13	Providing internal cement plaster 20mm thick in Single coats in cement mortar 1:4 without neeru finish, to concrete, brick surface, in all positions including scaffolding and curing etc.complete.								
		1 x	2	15.53		3.65	113.37		
		1 x	2	16.79		3.65	122.57		
	Deduction						235.94		
	Shutter	1 x	2	2.40		3.00	14.40		

	Windows	1 x	6	1.50		1.20		10.80		
								25.20		
	Total Quantity (G.F.)								210.74	Sqm
14	Providing sand faced plaster externally in cement mortar using approved screened sand, in all positions including base coat of 15mm thick in cement mortar 1:4 using waterproffing compound at 1kg per cement bag curing the same for not less than 2 days and keeping the surface of the bease coat rough to receive the sand faced									
		1 x	2	15.53		4.40		136.66		
		1 x	2	16.79		4.40		147.75		
	Deduction							284.41		
	Shutter	1 x	2	2.40		3.00		14.40		
	Windows	1 x	6	1.50		1.20		10.80		
								25.20		
	Total Quantity (G.F.)								259.21	Sqm
15	Providing and fabricating structural steel work in rolled sections like joists, channels, angles, tees etc. as per detailed design and drawings or as directed including cutting, fabricating, hoisting, erecting, fixing in position making riveted / bolted /welded connections without connecting plates,									
		1	3351.5		2.28		0.0010	7.641		
	Quantity of 12mm plaster							7.641		
	Total Quantity (G.F.)								7.64	M.T.
16	Providing and fixing plain zinc sheeting of 0.80 mm thick (22 B.W.G.) over the ridge hip or valley to galvanized iron sheet roofing including all fastening and bolt galvanized iron screws									
		1 x	18.66	17.40				324.68		
		1 x	72.12	0.75				54.09		
	Total Quantity (G.F.)								378.77	Sqm

Total Quantity (G.F.)				10.80 Sqm
21	Providing and fixing in position. (as per I.S.1868 / 1982) Aluminium sliding window of two tracks with rectangular pipe having overall dimension 63.50 x 38.10 x 1.02 mm at weight 0.547 Kilogram/One Running Metre. and window frame bottom track section 61.85 x 31.75 x 1.20 mm at weight 0.695 Kilogram/One Running Metre. Top and side track section 61.85 x 31.75 x 1.30 mm at weight 0.659 Kilogram/One Running Metre. The shutter should be of bearing bottom 40 x 18 x 1.25 mm at weight 0.417 Kilogram/One Running Metre. Inter locking section 40 x 18 x 1.10 mm at weight 0.469 Kilogram/One Running Metre. And handle section 40 x 18 x 1.25 mm at weight 0.417 Kilogram/One Running Metre. and top section 40 x 18 x 1.25 mm at weight 0.417 Kilogram/Running metre. As per detailed drawing and dimension.			
	6 x	1.5	1.20	10.80
Total Quantity				10.80 Sqm


Jinturkar A. A.
 Engn. & Govt. Contractor
 Reg.No.PWD/4033/2008-09

**NAME OF WORK:-PROPOSED CONSTRUCTION OF SHED FOR KRUSHINIDHI FARMER
PRODUEER COMPANY LTD. AT VILLAGE AADGAON GUT NO.209 TQ WASMANT
DIST.HINGOLI**

RATE ANALYSIS.

SR.N O.	DESCRIPTION OF ITEM	QTY.	NET LEAD CHARGES	RATE	
1	Excavation for foundation in earth, soils of all types, sand, gravel and soft murum, including removing the excavated material upto a distance of 50 m. beyond the building area and stacking or spreading as directed, preparing the bed for the foundation..				
	Rate as per SSR 2022-23			239.00	Cum
2	Excavation for foundation in hard murum including removing the excavated material upto distance of 50 meters beyond the building area and stacking or spreading as directed, preparing the bed for the foundation and necessary back filling, ramming, watering including shoring and strutting etc. complete.				
				314.00	cum
3	Filling in plinth and floors with contractors approved material / murum / stone dust in 15cm. to 20cm. layers including watering and compaction complete.				
	Rate as per SSR 2022-23			2160.00	Cum
	ADD LEAD CHARGES FOR Sand	1.000	410.55	410.55	Cum
				2570.55	Cum
4	Providing dry/ trap/ granite/ quartzite/ gneiss rubble stone soling 15 cm to 20 cm thick including hand packing and compacting etc. complete.				
	Rate as per SSR 2022-23			1382.00	
	ADD LEAD CHARGES FOR Sand	0.20	410.55	82.11	
	ADD LEAD CHARGES FOR Stone	1.00	345.15	345.15	
		TOTAL RATE Rs.		1809.26	PerCu.M.
5	Providing and laying Cast in situ/Ready Mix cement concrete in M-10 of trap/ granite/ quartzite/ gneiss metal for foundation and bedding including bailing out water, Steel centering, formwork, laying/pumping, compacting, roughening them if special finish is to be provided, finishing if required and curing complete, with fully automatic micro processor based PLC with SCADA enabled reversible Drum Type mixer/concrete Batch mix plant (Pan mixer) etc. complete. With fine aggregate (Natural Sand / Crushed sand VSI Grade finely washed etc)				
	Rate as per SSR 2022-23			5830.00	
	ADD LEAD CHARGES FOR SOLING	0.70	345.15	241.61	
	ADD LEAD CHARGES FOR SAND	0.47	410.55	192.96	
	ADD LEAD CHARGES FOR CEMENT	0.22	120.00	26.40	
		TOTAL RATE Rs.		6290.97	PerCu.M.
6	Providing and laying in situ cement concrete of required grade of trap / granite/ quartzite / gneiss metal for R.C.C. work in foundations like raft, grillages, strip foundations and footings of R.C.C.columns and steel stanchions including bailing out water, plywood/steel formwork..				
	Rate as per SSR 2022-23			7104.00	
	ADD LEAD CHARGES FOR METAL	0.850	345.15	293.38	
	ADD LEAD CHARGES FOR SAND	0.425	410.55	174.48	
	ADD LEAD CHARGES FOR CEMENT	0.350	120.00	42.00	

		TOTAL RATE Rs.		7613.86	PerCu.M.
7	Providing and casting in situ cement concrete of M-20 grade of trap / granite /quartzite/ gneiss metal for R.C.C. columns as per detailed design and drawings or as directed, including steel centering, plywood / steel formwork..				
	Rate as per SSR 2022-23			13783.00	
	ADD LEAD CHARGES FOR METAL	0.850	345.15	293.38	
	ADD LEAD CHARGES FOR SAND	0.425	410.55	174.48	
	ADD LEAD CHARGES FOR CEMENT	0.350	120.00	42.00	
		TOTAL RATE Rs.		14292.86	PerCu.M.
8	Providing and laying Cast in situ/Ready Mix cement concrete M-20 of trap / granite /quartzite/ gneiss metal for R.C.C. beams and lintels as per detailed designs and drawings or as directed including steel centering, formwork, cover blocks, laying/pumping, compactionand roughening the surface if special finish is to be provided and curing etc. complete. (Excluding reinforcement and structural steel). with fully automatic micro processor based PLC with SCADA enabled reversible Drum Type mixer/ concrete Batch mix plant (Pan mixer) etc. complete. With fine aggregate (Natural Sand / Crushed sand VSI Grade finely washed etc)SSR Item No.25.50 P.No.225				
	Rate as per SSR 2022-23			12269.00	
	ADD LEAD CHARGES FOR METAL	0.850	345.15	293.38	
	ADD LEAD CHARGES FOR SAND	0.425	410.55	174.48	
	ADD LEAD CHARGES FOR CEMENT	0.350	120.00	42.00	
		TOTAL RATE Rs.		12778.86	PerCu.M.
9	Providing and laying Cast in situ/Ready Mix cement concrete M-20 of trap/ granite / quartzite/ gneiss metal for R.C.C. slabs and landings as per detailed designs and drawings including centering, formwork, cover blocks, laying/pumping, compactionfinishing the formed surfaces with cement mortar 1:3 of sufficient minimum thickness to give a smooth and even surface or roughening if special finish is to be provided and curing etc. complete,(Excluding reinforcement and structural steel).with fully automatic micro processor based PLC with SCADA enabled reversible Drum Type mixer/ concrete Batch mix plant (Pan mixer) etc. complete. With natural sand/V.S.I. quality Artificial Sand SSR sr No.844 item no.25.70				
	ADD LEAD CHARGES FOR SOLING			13943.00	
	ADD LEAD CHARGES FOR METAL	0.850	0.00	0.00	
	ADD LEAD CHARGES FOR SAND	0.425	345.15	146.69	
	ADD LEAD CHARGES FOR CEMENT	0.350	410.55	143.69	
		TOTAL RATE Rs.		14233.38	PerCu.M.
10	Providing and fixing in position TMT - FE - 500 bar reinforcement of various diameters for R.C.C. pile caps, footings, foundations, slabs, beams columns, canopies, staircase, newels, chajjas, lintels pardis, copings, fins, arches etc. as per detailed designs, drawings and schedules, including cutting, bending, hooking the bars, binding with wires or tack welding and supporting as required complete.SSR Item No.26.33 P.No.236				
	Rate as per SSR 2022-23			89703.00	
	ADD LEAD CHARGES FOR STEEL	1.00000	309.96	309.96	
		TOTAL RATE Rs.		90012.96	PerM.T.

11	Providing second class Burnt Brick masonry with conventional/ I.S. type bricks in cement mortar 1:6 in foundations and plinth of inner walls/ in plinth external walls including bailing out water manually , striking joints on unexposed faces, raking out joints on exposed faces and watering etc. Complete.SSR Item No.27.01 P.No.246				
	Rate as per SSR 2022-23				7755.00
	ADD LEAD CHARGES FOR BRICKS	1.00	499.13		499.13
	ADD LEAD CHARGES FOR SAND	0.32	410.55		131.38
	ADD LEAD CHARGES FOR CEMENT	0.079	120.00		9.48
		TOTAL RATE Rs.			8394.99 PerCu.M.
12	Providing second class Burnt Brick masonry with conventional/ I.S. type bricks in cement mortar 1:6 in superstructure including striking joints, raking out joints, watering and scaffolding etc. Complete.SSR Item No.27.05 P.No.246				
	Rate as per SSR 2022-23				7994.00
	ADD LEAD CHARGES FOR BRICKS	1.00	499.13		499.13
	ADD LEAD CHARGES FOR SAND	0.32	410.55		131.38
	ADD LEAD CHARGES FOR CEMENT	0.079	120.00		9.48
		TOTAL RATE Rs.			8633.99 PerCu.M.
13	Providing internal cement plaster 12mm thick in single coat in cement mortar 1:4 without neeru finish to concrete or brick surfaces, in all positions including scaffolding and curing etc. complete.SSR Item No.32.04 P.No.260				
	Rate as per SSR 2022-23				278.00
	ADD LEAD CHARGES FOR SAND	0.0120	410.55		4.93
	ADD LEAD CHARGES FOR CEMENT	0.0055	120.00		0.66
		TOTAL RATE Rs.			283.59 PerSq.M.
14	Providing sand faced plaster externally in cement mortar using approved screened sand, in all positions including base coat of 15 mm thick in cement mortar 1:4 using waterproofing compound at 1 kg per cement bag curing the same for not less than 2 days and keeping the surface of the base coat rough to receive the sand faced treatment 6 to 8 mm thick in cement mortar 1:4 finishing the surface by taking out grains and curing for fourteen days scaffolding etc.complete. SSR Sr.no956 , SSR Item no. 32.11				
	Rate as per SSR 2022-23				639.00
	ADD LEAD CHARGES FOR SAND	0.02500	410.55		10.26
	ADD LEAD CHARGES FOR CEMENT	0.00850	120.00		1.02
		TOTAL RATE Rs.			650.28 PerSq.M.
15	Providing and fabricating structural steel work in rolled sections like joists, channels, angles, tees etc. as per detailed design and drawings or as directed including cutting, fabricating, hoisting, erecting, fixing in position making riveted / bolted /welded connections without connecting plates, braces etc. and including one coat of anticorrosive paint and over it two coats of oil painting of approved quality and shade etc. complete.				
	Rate as per SSR 2022-23				101844.00
					M.T.
16	Providing and fixing plain zinc sheeting of 0.80 mm thick (22 B.W.G.) over the ridge hip or valley to galvanized iron sheet roofing including all fastening and bolt galvanized iron screws and bolts, lead and bitumen washers etc. complete.(Weight of 6.8 Kilogram/sq.m.).				
	Rate as per SSR 2022-23				1139.00
					Sqm

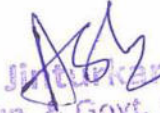
17	Providing and applying priming coat on concrete/ masonry/ Asbestos Cement plastered surfaces including scaffolding if necessary, preparing the surface by thoroughly cleaning oil, grease, dirt and other foreign matter and sand papering as required etc. complete.				
	Rate as per SSR 2022-23				
				36.00	Sqm
18	Providing and applying three coats of water proof cement paint of approved manufacture and of approved colour to new plastered surfaces including scaffolding if necessary, cleaning and preparing the surface, watering for two days etc. complete.				
	Rate as per SSR 2022-23				
				104.00	Sqm
19	Providing and fixing rolling shutter fabricated from steel laths of minimum thickness 0.9 mm with lock plate of 3.15 mm thickness reinforced with 35 x 35 x 5 mm angle section fitted with sliding bolts and handles for both sides, deep M.S. channel section of depth and thickness not less than 65 mm and 3.15 mm respectively with hold fast arrangements, M.S. Bracket plate 300 x 300 x 3.15 mm minimum size and shape with square bar, suspension shaft of minimum 32 mm diameter, hood cover of M.S. sheet not less than 0.9 mm thickness and of any size at top and safety devices including mechanical gear operation arrangement consisting of worm gear wheels and worms of high grade cast iron or mild steel and one coat of red lead primer etc. complete. (I.S. 62481979) (Without mechanical gear)				
	Rate as per SSR 2022-23				
				4829.00	SQm
20	Providing and fixing steel window of various sizes as per detailed drawing without hot dip zinc coating, without ventilators, including fabricating / glazing with plain / obscured glass panels of approved type and quality, iron oxidised fixtures and fastenings, finishing with oil painting two coats complete (with guard bars 12 mm square at 10 cm c/c.)				
	Rate as per SSR 2022-23				
				4874.00	SQm

21	<p>Providing and fixing in position. (as per I.S.1868 / 1982) Aluminium sliding window of two tracks with rectangular pipe having overall dimension 63.50 x 38.10 x 1.02 mm at weight 0.547 Kilogram/One Running Metre. and window frame bottom track section 61.85 x 31.75 x 1.20 mm at weight 0.695 Kilogram/One Running Metre. Top and side track section 61.85 x 31.75 x 1.30 mm at weight 0.659 Kilogram/One Running Metre. The shutter should be of bearing bottom 40 x 18 x 1.25 mm at weight 0.417 Kilogram/One Running Metre. Inter locking section 40 x 18 x 1.10 mm at weight 0.469 Kilogram/One Running Metre. And handle section 40 x 18 x 1.25 mm at weight 0.417 Kilogram/One Running Metre. and top section 40 x 18 x 1.25 mm at weight 0.417 Kilogram/Running metre. As per detailed drawings and as directed by Engineer in charge with all necessary Aluminium sections fixtures and fastenings such as roller bearing in nylon casting and self locking catch fitted in vertical section of shutter including 5 mm thick plain glass with all required screws and nuts etc, complete. With colour Anodising with box.</p>				
	Rate as per SSR 2022-23				
				5479.00	Sqm


Jitendra A. A.
 Engr. & Govt. Contractor
 Reg.No.PWD/4033/2008-09

NAME OF WORK:-PROPOSED CONSTRUCTION OF SHED FOR KRUSHINIDHI
 FARMER PRODUEER COMPANY LTD. AT VILLAGE AADGAON GUT NO.209 TQ
 WASMANT DIST.HINGOLI

LEAD CHARGES						
SR. NO.	MATERIAL	LOCATION OF QUARRY	TOTAL LEAD IN KM.	TOTAL LEAD CHARGES	INITIAL LEAD CHARGES	NET LEAD CHARGES
1	Above 40mm 60mm	LOCAL	10.00	330.77	0.00	330.77
2	Below 40mm 60mm	LOCAL	10.00	345.15	0.00	345.15
3	Murrum	LOCAL	10.00	330.77	0.00	330.77
4	Sand	LOCAL	15.00	410.55	0.00	410.55
5	Cement	LOCAL	2.00	120.00	0.00	120.00
6	Steel	LOCAL	2.00	120.00	0.00	120.00
7	Bricks	LOCAL	5.00	265.69	0.00	265.69


 J. D. K. A. A.
 Engr. & Govt. Contractor
 Eng. No. PWD/4033/2008-09

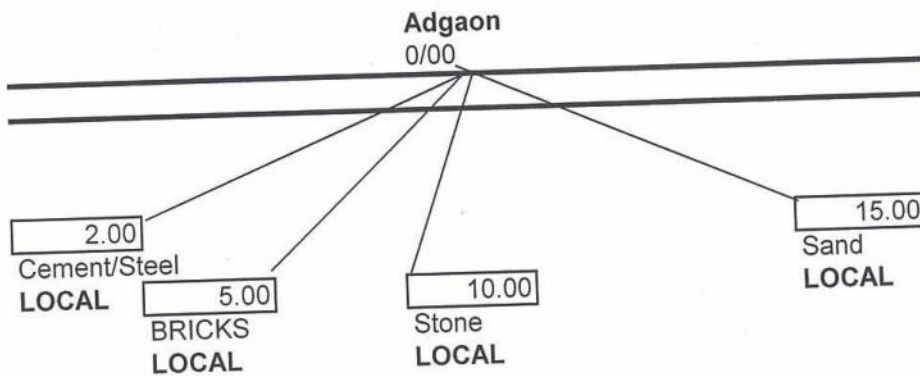
ROYALTY STATEMENT

SR.N O.	ITEM	Quantity	Sand		Sand	
			Factor	Qty	Factor	Qty
1	M-10,P.C.C	39.05	0.47	18.35	0.7	12.85
2	M-20,R.C.C.Footing	6.91	0.425	2.94		
3	M-20, R.C.C. columns	1.47	0.425	0.62		
4	M20 R.C.C. beams and lintels	5.64	0.425	2.40		
5	M20 R.C.C. Slab	0.00	0.425	0.00		
6	M-20 for R.C.C. chhajja	0.00	0.425	0.00		
7	Filling in plinth and floors with contractors	88.63			1	88.63
8	Providing Soling Using 80 mm Size	49.72			1	49.72
9	Bricks masonry- foundations and plinth	8.18	0.302	2.47		
10	Bricks masonry- superstructure	48.17	0.302	14.55		
11	Providing sand faced plaster	259.21	0.025	6.48		
12	Internal Plaster - 12 mm	210.74	0.012	2.53		
	TOTAL QTY IN CUM			50.34		151.20
				Rate Per Cum		216.18
					11949.00	32686.00
				Total Amount Rs.	44635.00	


Jinturkar A.A.
 Engr. & Govt. Contractor
 Reg. No. PWD/4033/2008-09

**NAME OF WORK:-PROPOSED CONSTRUCTION OF SHED FOR
KRUSHINIDHI FARMER PRODUEER COMPANY LTD. AT VILLAGE AADGAON
GUT NO.209 TQ WASMANT DIST.HINGOLI**

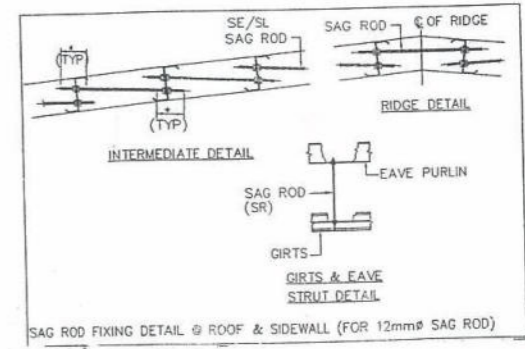
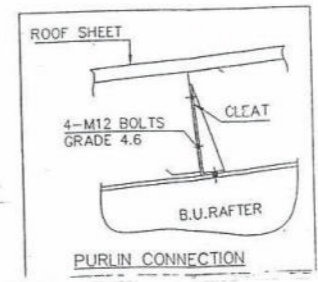
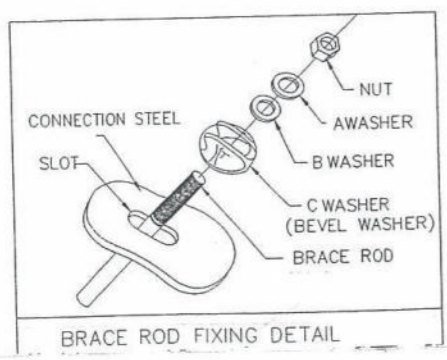
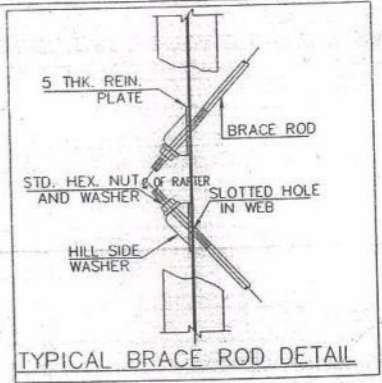
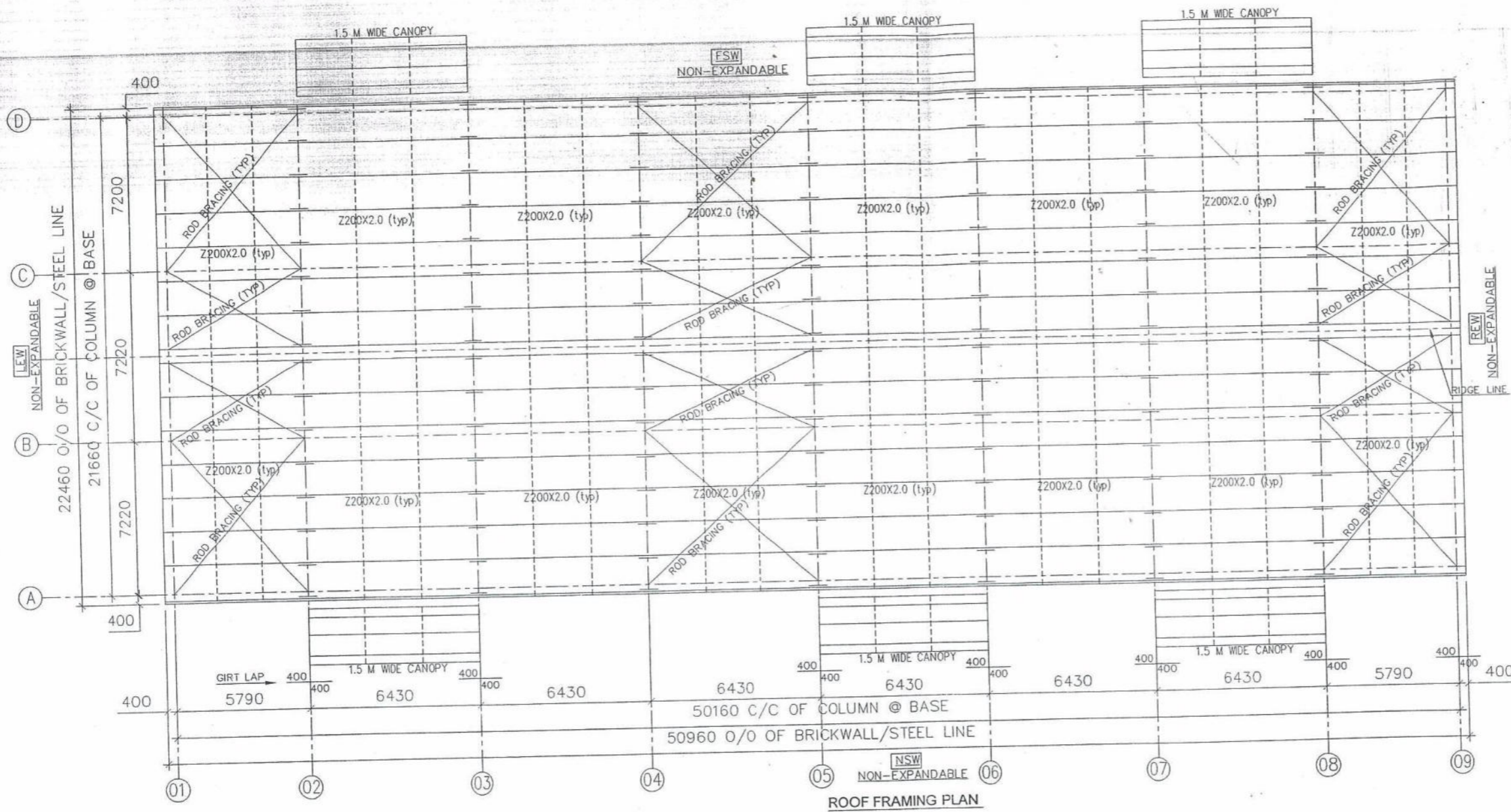
QUARRY CHART

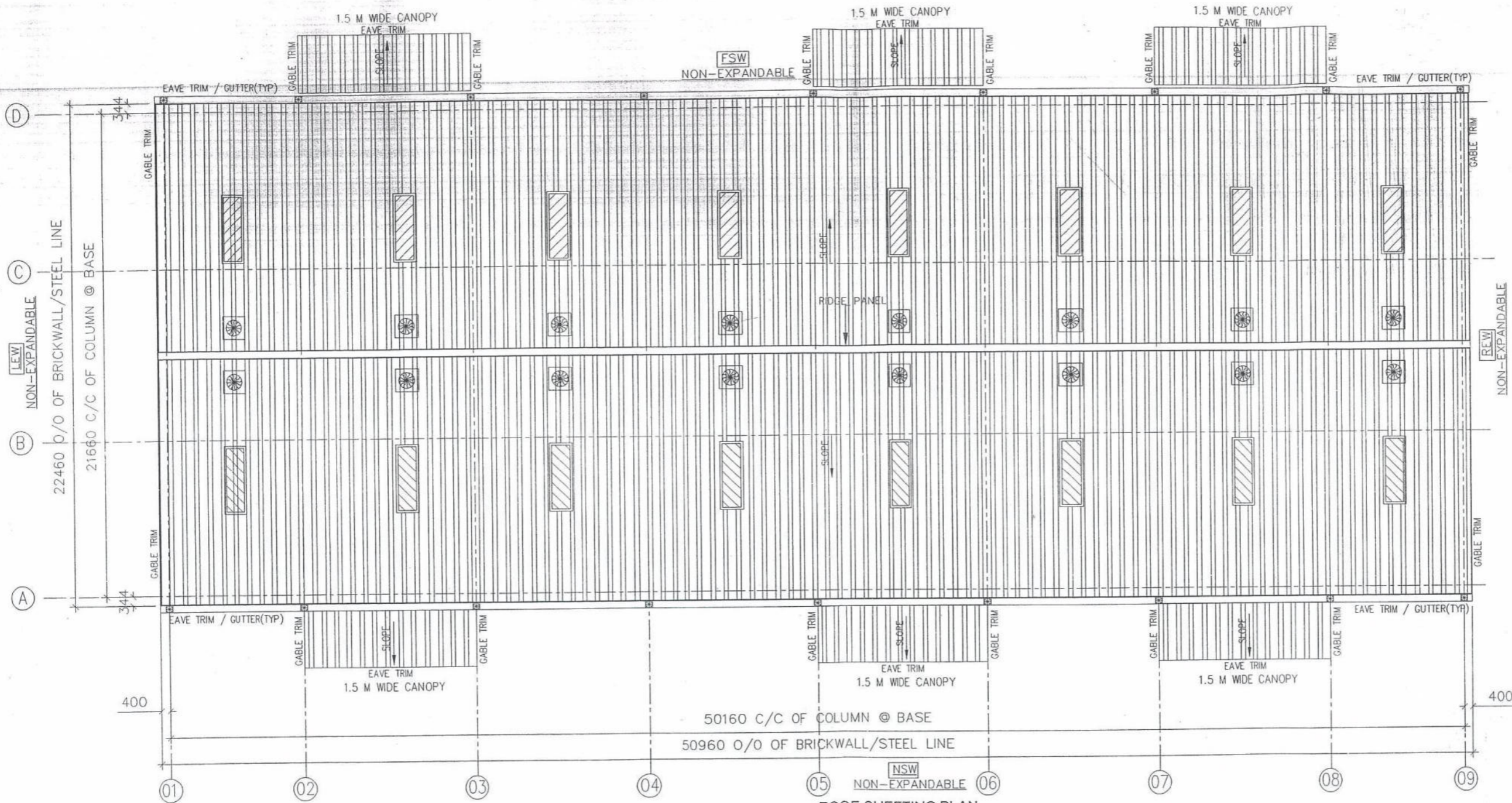


CERTIFICATE

Certified that I have visited the quarry sites & distance shown as lead is corrects & sufficient quantity will be available from quarry.



Jinturkar A. A.
Engn. & Goyt. Contractor
Reg.No.PWD/4033/2008-09

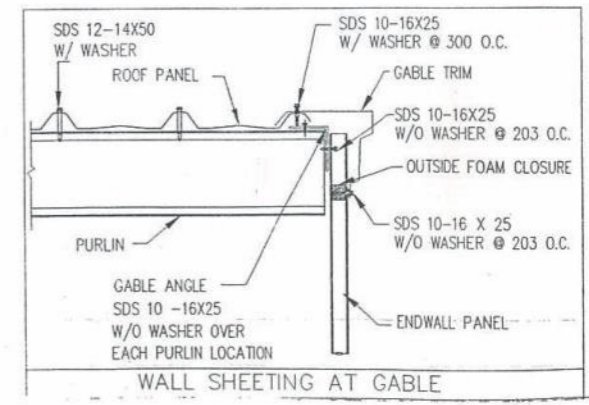


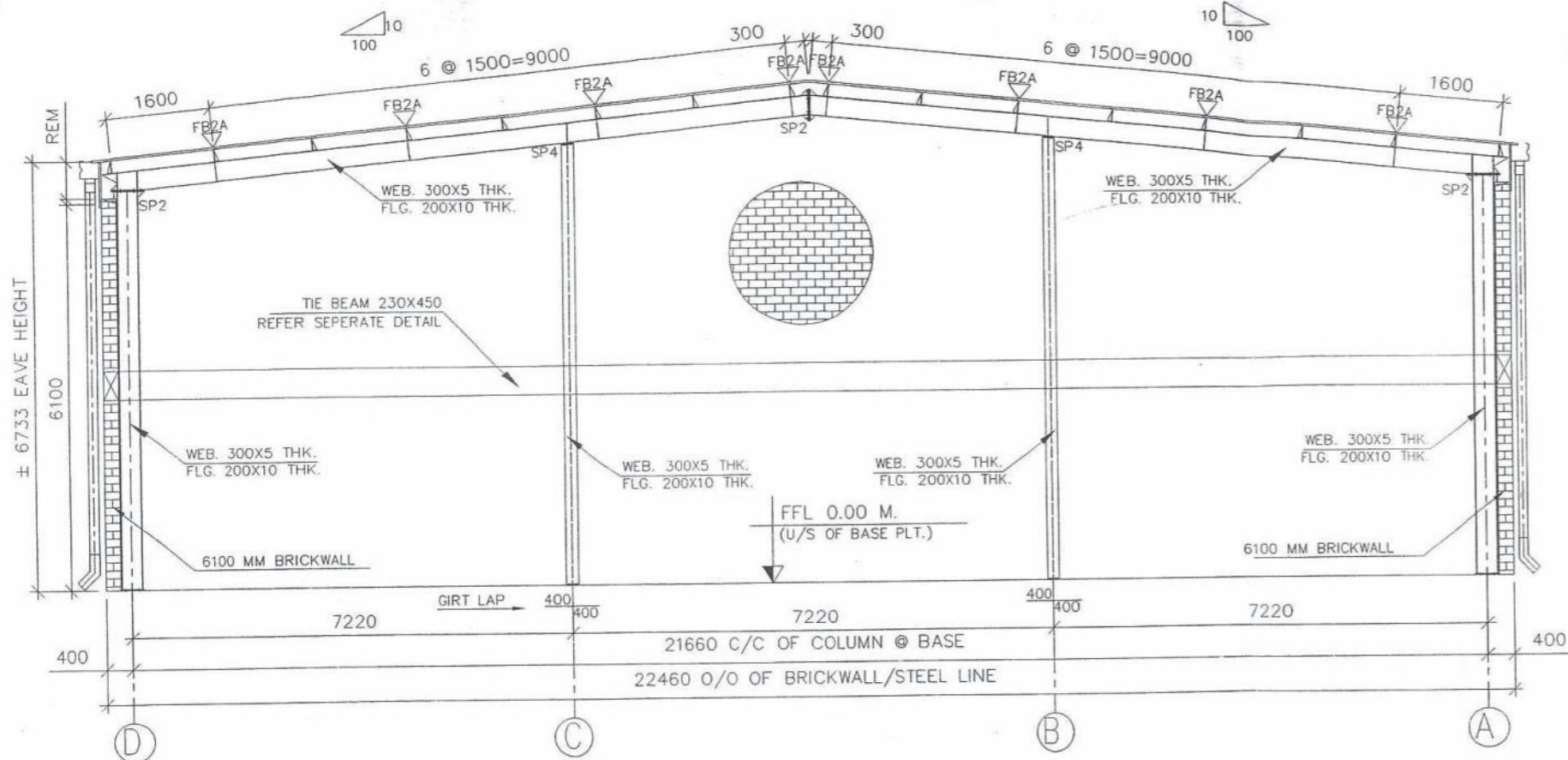


ROOF SHEETING PLAN

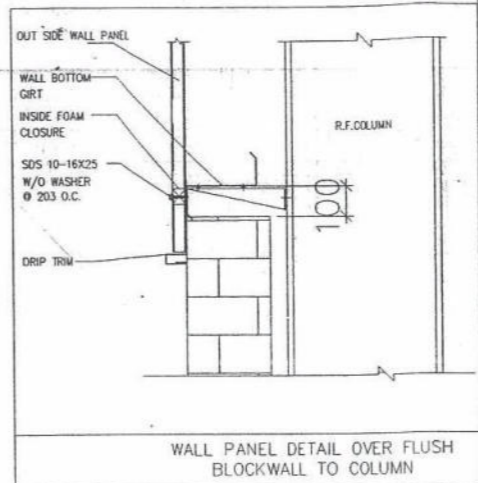
*CUSTOMER TO CONFIRM SKYLIGHT AND TURBO VENT LOCATIONS.

-  2mm P.C SHEET SKYLIGHT (1Mx3M)
-  600 Ø TURBO FAN

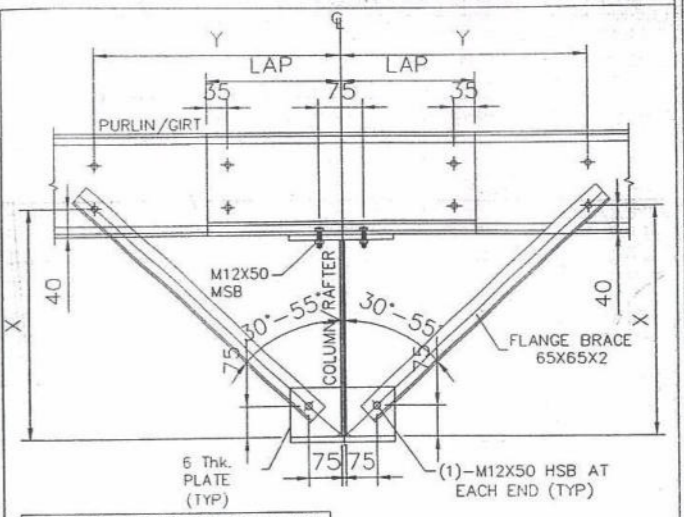




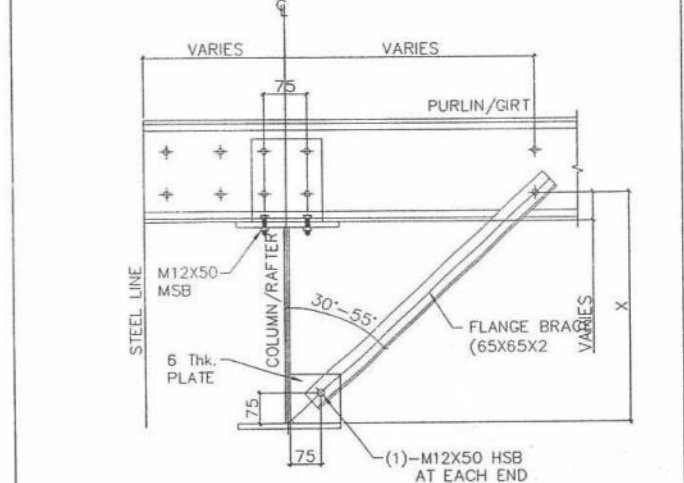
ENDWALL FRAMING ELEVATION FOR FRAME LINE-01 & 09 (MIRROR).



WALL PANEL DETAIL OVER FLUSH BLOCKWALL TO COLUMN

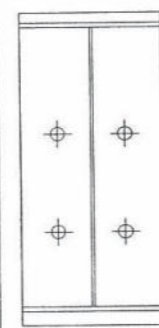


ROOF/WALL FLANGE BRACE DETAIL W/O LINER (BOTH SIDES W/M12 HSB)



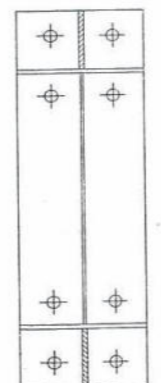
SINGLE SIDE FLANGE BRACE DETAIL (AT ENDWALL CONDITION W/M12 HSB)

Bolt Dia= 20MM
Hole Dia= 22MM
Plate Thk= 16MM

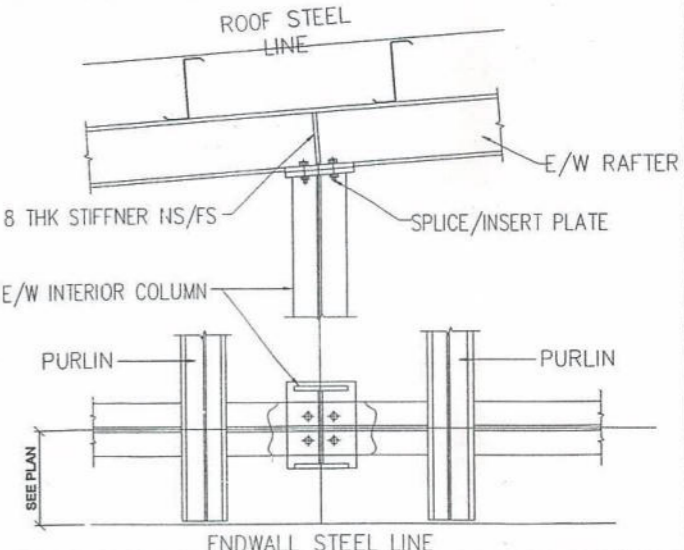


SP-4

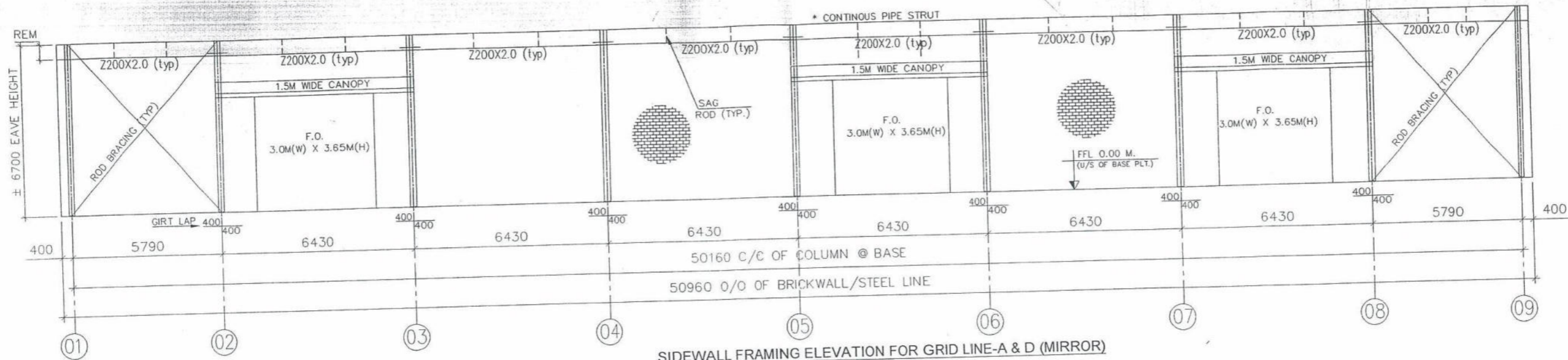
Bolt Dia= 20MM
Hole Dia= 22MM
Plate Thk= 16MM
Gusset Thk= 8MM



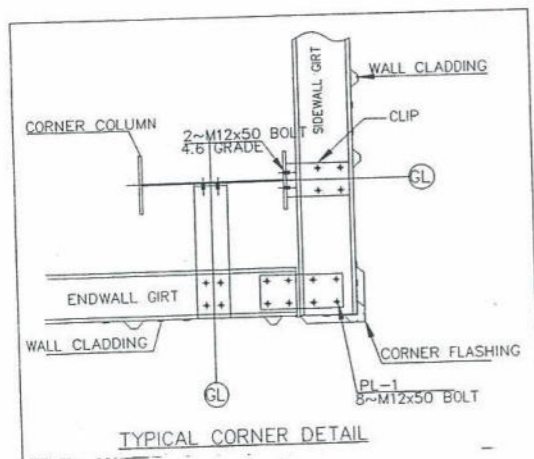
SP-2



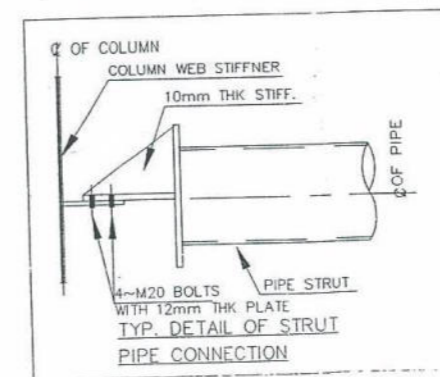
EW INTERIOR COL CONNECTION NON EXPANDABLE FRAME (BYPASS)



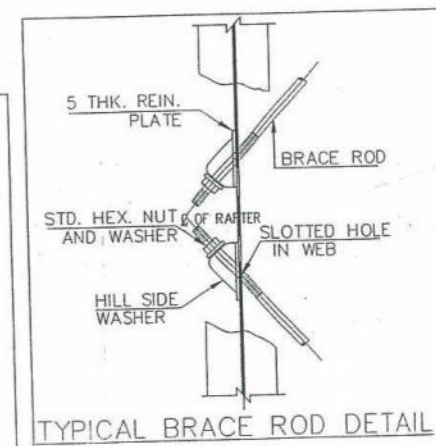
SIDEWALL FRAMING ELEVATION FOR GRID LINE-A & D (MIRROR)



TYPICAL CORNER DETAIL



TYP. DETAIL OF STRUT PIPE CONNECTION



TYPICAL BRACE ROD DETAIL